

PFH

COMPACT FAN HEATER 200–1200 W

- high power to size ratio ⇒ small, compact design
- wide range of heating capacities 200-1200 W in one housing
- fast heating due to PTC technology
- wall or DIN rail mounting
- low surface temperature
- finger guard at inlet and outlet
- plug-in fixed-point thermostat possible



PRODUCT		PFH 200	PFH 300	PFH 400	PFH 500	
ARTICLE NO.	230 V	17020610030	17030610030	17040610030	17050610030	Unit
ARTICLE NO.	115 V	17020615030	17030615030	17040615030	17050615030	

DATA						
Heating performance (Ta = +10 °C)		200	300	400	500	W
Max. starting current		9	12	15	20	A
Max. pre fuse T		6		10		
Max. surface temperature		55				°C
Volumetric air flow		50				m³/h

PRODUCT		PFH 650	PFH 800	PFH 1000	PFH 1200	
ARTICLE NO.	230 V	17065610030	17080610030	17099610030	17099910030	Unit
ARTICLE NO.	115 V	17065615030	17080615030	17099615030		

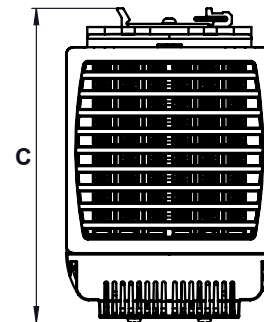
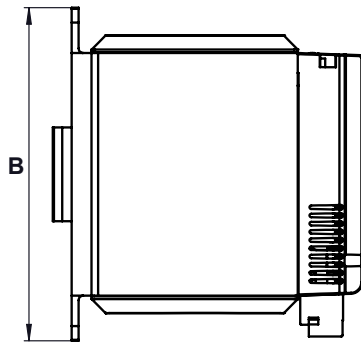
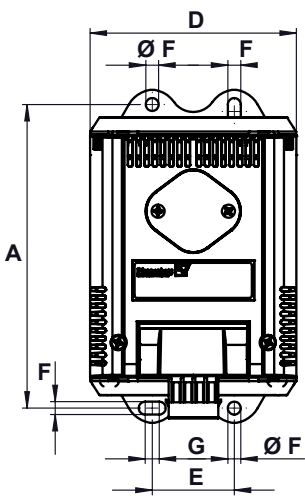
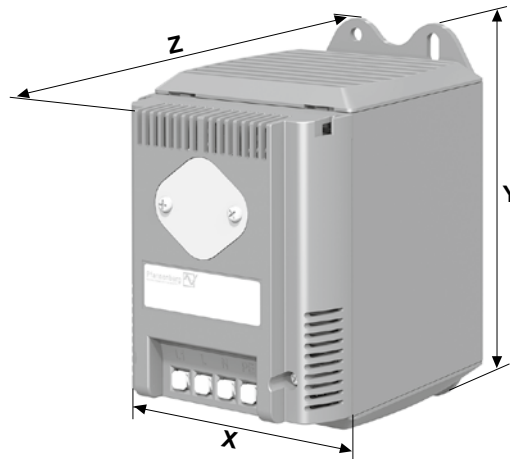
DATA						
Heating performance (Ta = +10 °C)		650	800	1000	1200	W
Max. starting current		25	31	25	31	A
Max. pre fuse T		10				
Max. surface temperature		70				°C
Operating temperature		-40 ... +70				
System of protection for intended purpose of use		IP 20				
Rated voltage ±10 %		AC 50 60 Hz				
		230				V
Functional range		104 – 127 V or 207 – 258 V AC 50 60 Hz				
Protection class		II				
Device construction		plastic UL 94V-0, black				
Type of mounting		snap fastening for 35 mm profile bars according to EN 60715 4 x M5 screws (not included)				
Type of connection		plug terminal connector				
Weight		740				

ACCESSORIES	ARTICLE NUMBER	
Hygrostat	17207000000	
Internal enclosure fan	18110000000	
Plug-in-fixed-point thermostat	5 °C	18413000000
	15 °C	18413000001
	25 °C	18413000002

For additional models, options and voltages visit www.pfannenberg.com or contact us directly.

Dimensions

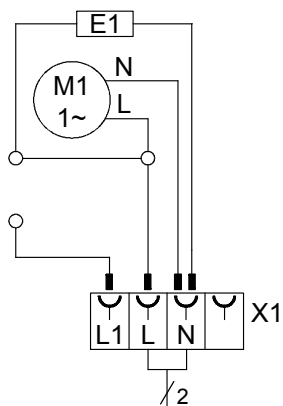
mm	PFH
X	88
Y	142
Z	126
A	129
B	142
C	134
D	88
E	35
F	5.5
G	6



Schematics

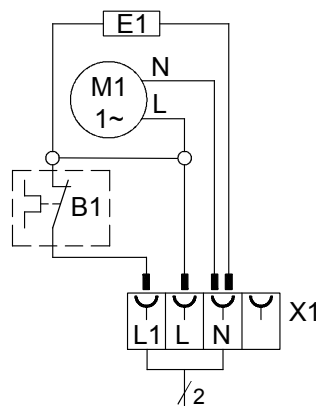
Standard

without internal thermostat



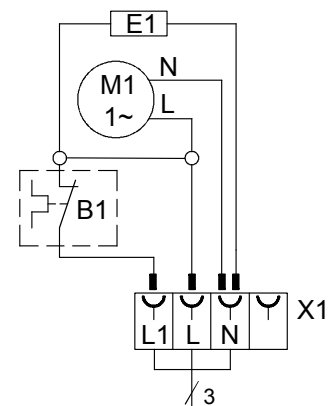
Option 1

with internal thermostat



Option 2

with internal thermostat and external thermostat which control independent to each other



M1: fan
E1: PTC - heating element
X1: connection
B1: thermostat (optional)